

# 3 in 1 pH/Reference/Temperature Electrodes



**Available for many popular makes and models of benchtop pH meters**

**Durable Epoxy body construction**

**Shipped in soaking solution ready for immediate use**

**Value price for 3 electrodes in 1!**

**Gel-filled reference, choice of single or double junction**

Sensorex 3-in-1 combination electrodes are excellent choices for applications requiring pH, reference, and automatic temperature compensation (ATC). The 3-in-1 electrode operates like three separate electrodes, at a value price, you would pay for only one electrode.

These electrodes are designed to retrofit the original factory electrodes supplied with your meter but at substantial savings. Built into the body is an ATC element compatible with your meter. Combine the ATC element with the Sensorex durable and proven epoxy body pH electrode and you will get a premium quality direct fit: a 3-in-1 replacement pH electrode.

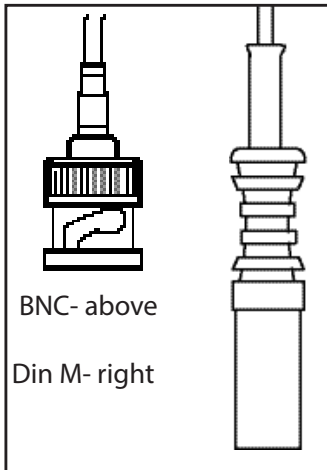
## Specifications

|                           |   |
|---------------------------|---|
| <b>pH Measuring Range</b> | 0-14 pH (Na+ error >12.3 pH)                              |
| <b>Temperature Range</b>  | 0-70 Degrees C  |
| <b>Wetted Materials</b>   | Epoxy, Silicone, Pellon®, pH Glass, leaded glass          |
| <b>Temp Comp</b>          | 10K NTC, 30K NTC or Pt1000 RTD (see ordering information) |
| <b>Cable Length</b>       | 30 inches   |
| <b>Response Speed pH</b>  | >90% in 1 second  |

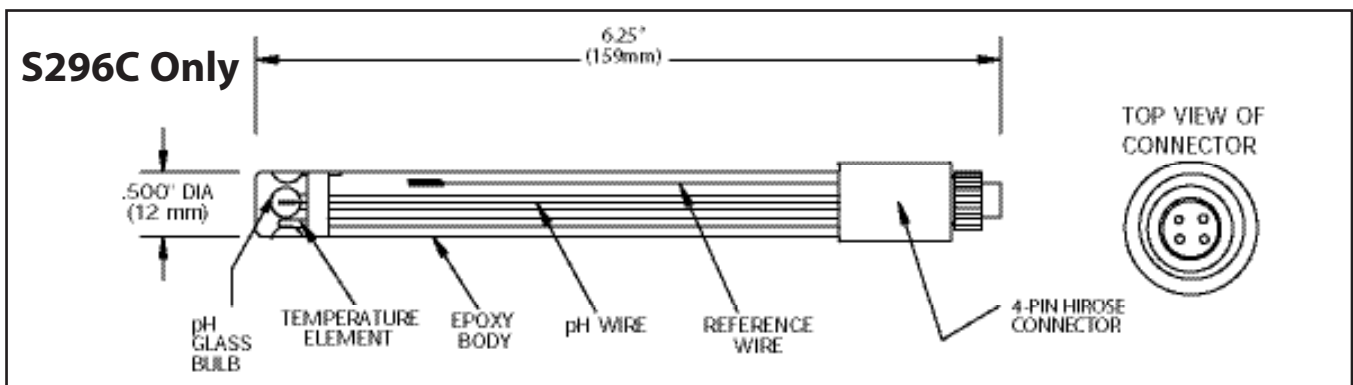
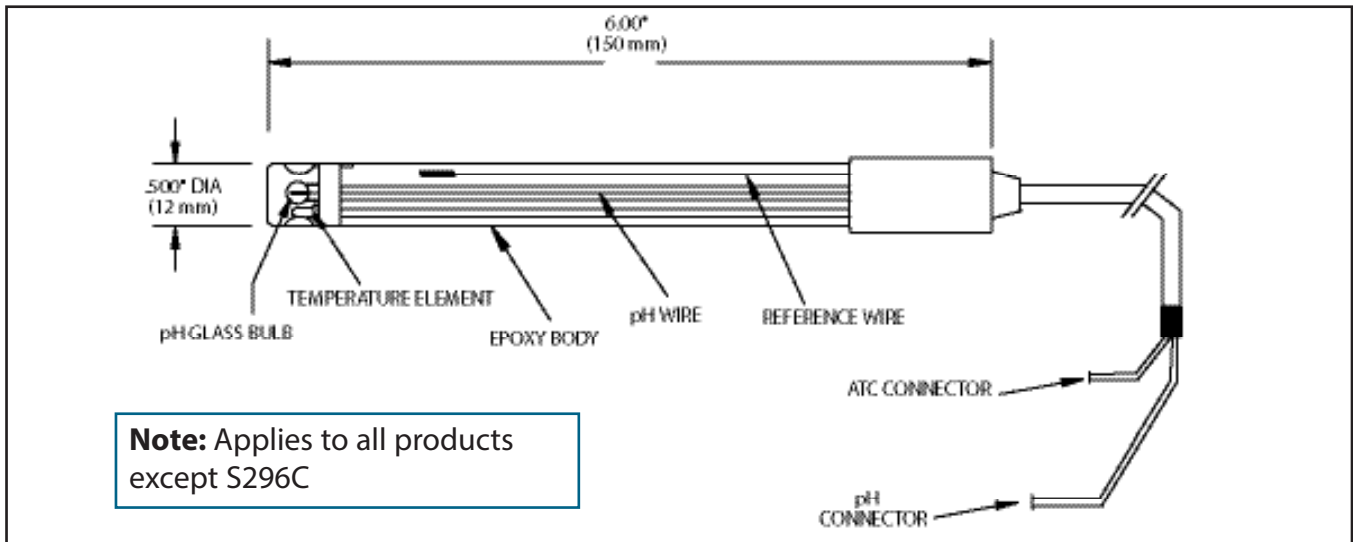
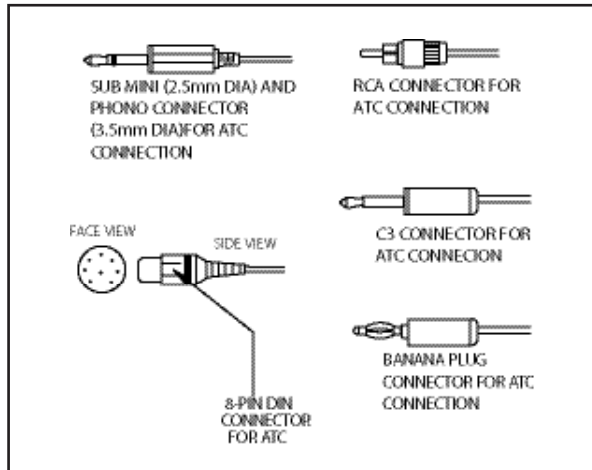
**Parts covered by this product data sheet include:**  
 S290C, S291C, S292C, S293C S294C, S295C S296C,  
 S297C, S298C, S299C

# 3 in 1 pH/Reference/Temperature Electrodes

## pH Connectors



## Temperature (ATC) Connectors



## 3 in 1 pH/Reference/Temperature Electrodes

### Ordering Information

All 3-in-1 pH/Reference/ATC electrodes are supplied with 36 inches of cable and specific connectors to match meter by brand and model number.

| Part Number | Used With Meter                      | ATC Element Type | Connectors                     |
|-------------|--------------------------------------|------------------|--------------------------------|
| S290C       | Orion Series A, HACH EC              | 30K NTC          | BNC + 8-pin DIN                |
| S291C       | Orion Series EA/SA                   | 30K NTC          | BNC + Banana Plug x 2          |
| S292C       | Corning                              | 30K NTC          | BNC + Phono plug               |
| S293C       | Custom Configurable                  | Specify          | Specify                        |
| S294C       | HACH One                             | 30K NTC          | BNC + C3                       |
| S295C       | WTW                                  | 30K NTC          | DIN M + 1 each 4mm Banana plug |
| S296C       | Jenco Instruments, 1671, 6072, 6091N | 10K NTC          | 4-pin Hirose                   |
| S298C       | Fisher Scientific                    | 10K NTC          | BNC + sub-mini phono plug      |
| S299C       | Mettler Toledo                       | 1000 Ohm RTD     | DIN M + 3.5mm phono plug       |



11751 Markon Dr.  
 Garden Grove, CA 92841 USA  
 Tel: 714-895-4344  
 Fax: 714-894-4839  
 E-mail: [info@sensorex.com](mailto:info@sensorex.com)  
[www.sensorex.com](http://www.sensorex.com)