

Submersible Flat-Surface, Self-Cleaning pH and ORP Electrodes



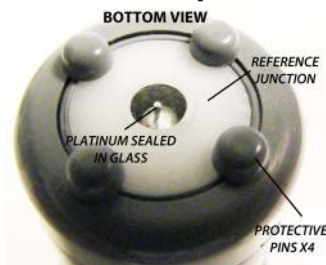
**NEW S651CD
MOUNTING**



Original S650CD



S651CD(pH)



S651CD-ORP

Quick disconnect design saves time and money

Installs in seconds, no tools necessary

Flat surface design resists coating

CPVC or PVDF models available

Available with or without ATC elements

The submersion pH and ORP electrodes from Sensorex are designed for measurements in tanks, flumes and sewer lines. Submersion designs are also well suited for high suspended solids applications, flocculation operations which require low velocities, or in tanks with high agitation.

Where low velocities are present and coating is a problem, the electrode can be mounted at a 45 degree angle facing into the flow so as to obtain increased scrubbing action across the measuring surface.

The cartridge quick disconnect design makes changing electrodes a snap and minimizes down time due to electrode maintenance.

Model S651CD offers a pH glass protection feature and the extra performance of acrylamide reference gel.

Specifications

Range 0-14pH (0-12pH without Na+ error)
+/- 2000mV for ORP

Wetted Materials

Body/Junction: CPVC/HDPE ("-CD" models)
PVDF/ Porous PVDF ("-KD" models)
Measuring Surface: pH glass (pH), Platinum or Gold (ORP)
O-rings: Viton
Gasket: EPR

Temperature/Pressure Range

(all models ending in "-CD") = 0C* - 75C (0-100psig), 80C (0-85psig)
(all models ending in "-KD") = 0C* - 100C (0-100psig)

Note: From 0 to 10C, electrodes will exhibit slower response time.

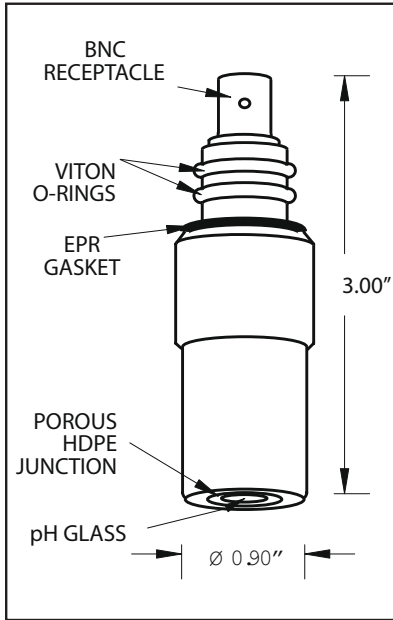
Reference Type Ag/AgCl, Sealed Double Junction

Parts covered by this product data sheet include:

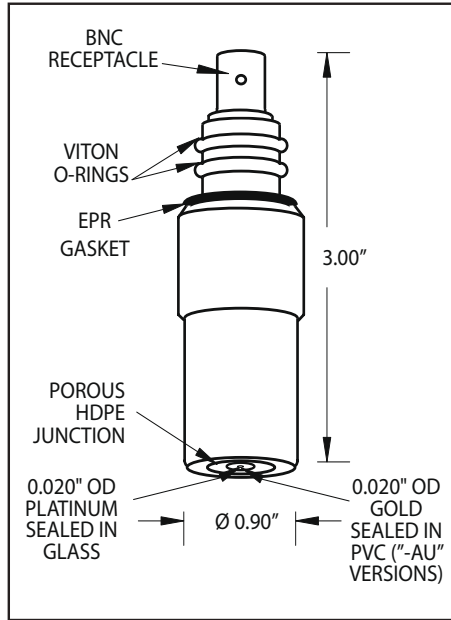
S650CD, S650CD-ORP, S650KD, S650KD-ORP, S650CD-LC, S650KD-HT, S651CD, S651CD-ORP, S650CD-LC

CPVC Electrodes

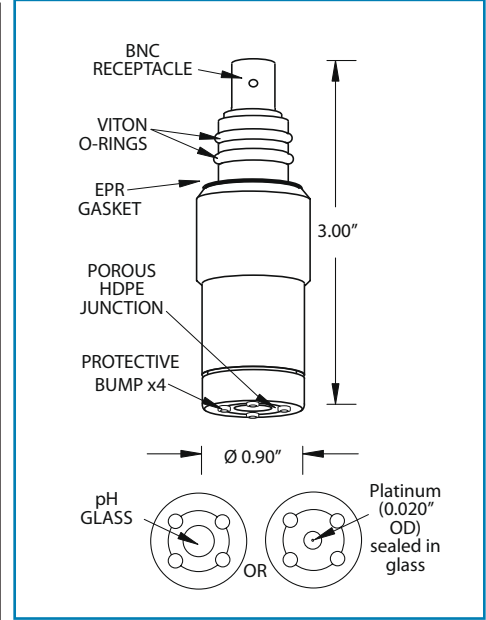
pH - S650CD, S650CD-HT, S650CD-LC



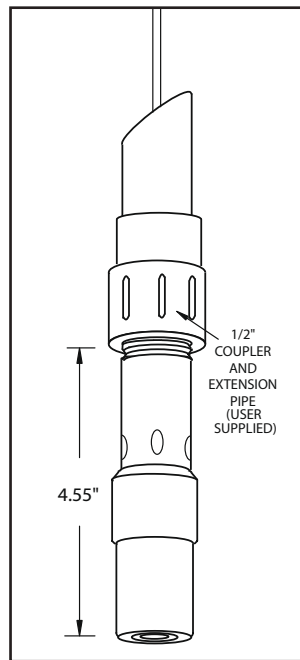
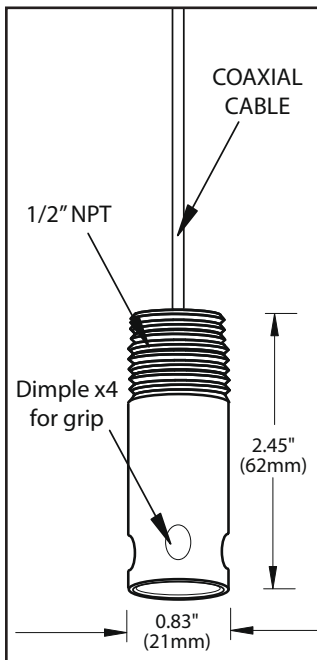
ORP - S650CD-ORP, S650CD-ORP-HT, S650CD-ORP-LC, S650CD-AU



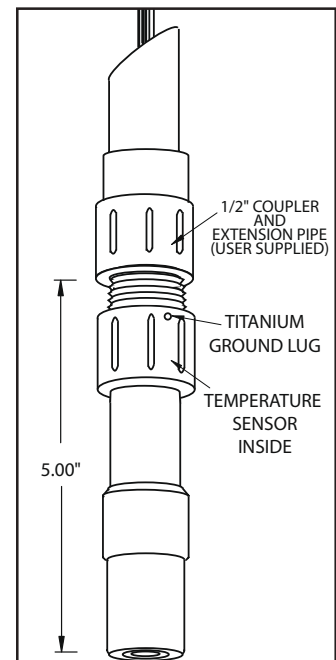
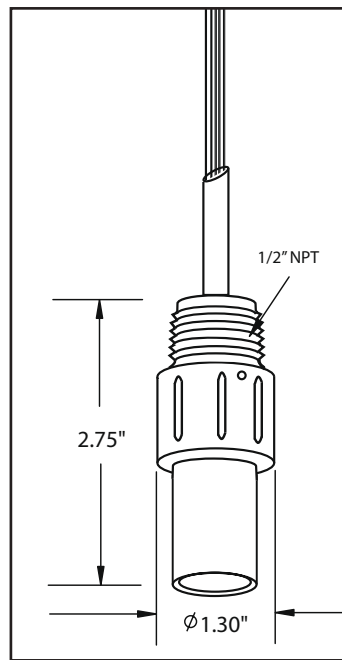
pH & ORP - S651CD, S651CD-ORP



CPVC CABLES WITHOUT ATC - S653

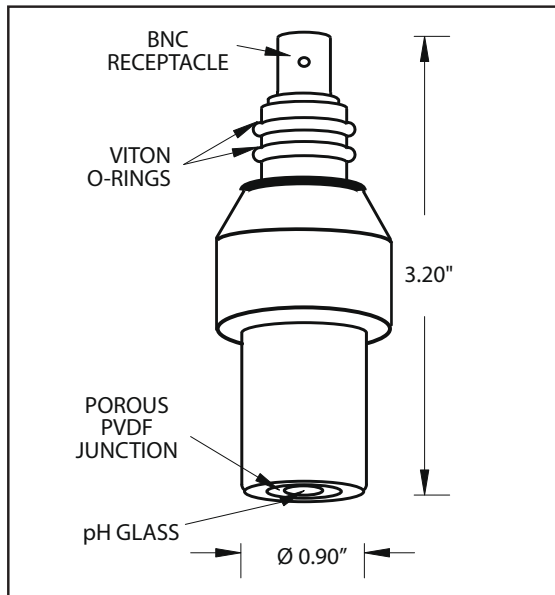


CPVC CABLES WITH ATC - S653TC

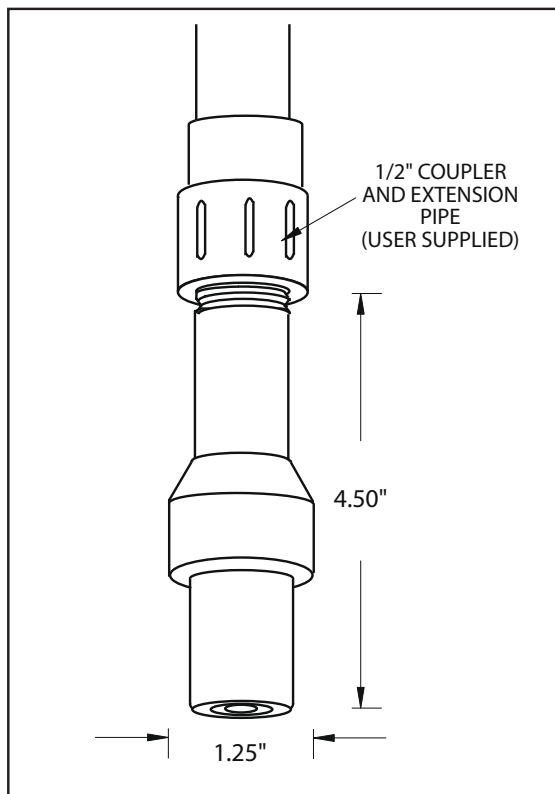


PVDF Electrodes

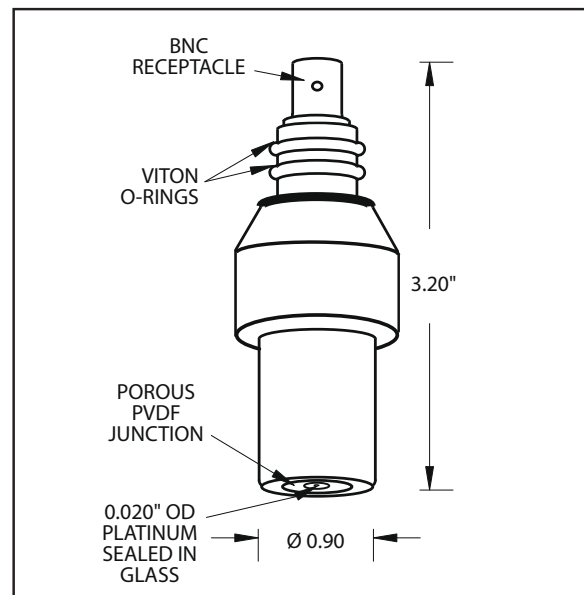
pH - S650KD, S650KD-HT, S650KD-LC



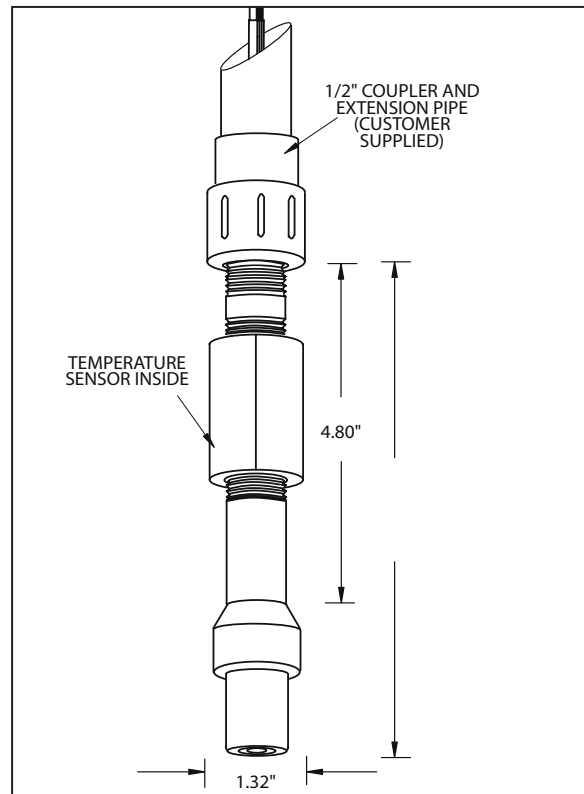
**PVDF CABLE WITHOUT
ATC -S653K**



**ORP - S650KD-ORP, S650KD-ORP-HT,
S650KD-ORP-LC**



**PVDF CABLE WITH
ATC - S653TK**



ORDERING INFORMATION

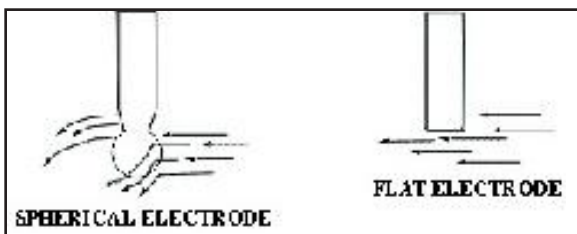
Systems without temperature compensation

ORDER 2 ITEMS	DESCRIPTION	CPVC PARTS	PVDF PARTS
1. Select one electrode(pH or ORP)	pH combination electrode pH combination electrode(high temp) pH comb electrode w/protective tip Model for Low Ionic samples Model for acidic HF samples ORP combination electrode ORP combination electrode (high temp) ORP combination electrode (Gold tip)	S650CD S651CD S651CD S650CD-LC S650CD-HF S650CD-ORP S651CD-ORP S650CD-ORP-AU	S650KD S650KD-HT N/A S650KD-LC S650KD-HF S650KD-ORP S650KD-ORP-HT S650KD-ORP-AU
2. Select one cable assembly	For conduit use	S653-"cable length"-"Connector"	S653K-"cable length"-"Connector"

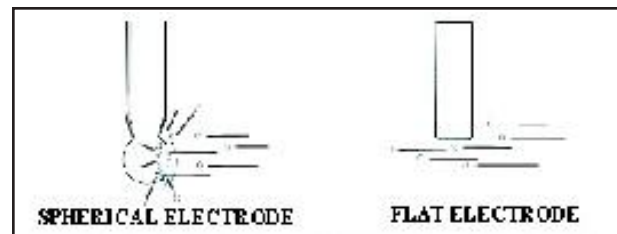
Systems with temperature compensation

ORDER 2 ITEMS	DESCRIPTION	CPVC PARTS	PVDF PARTS
1. Select one electrode	pH combination electrode pH combination electrode(high temp) Model for Low Ionic samples Model for acidic HF samples pH comb electrode w/protective tip	S650CD S651CD S650CD-LC S650CD-HF S651CD	S650KD S650KD-HT S650KD-LC S650KD-HF N/A
2. Select one cable assembly	For conduit use for exposed cable use	S653TC-"ATC CODE"-"cable length"-"Connectors"	S653TK-"ATC CODE"-"cable length"-"Connectors" ----

SELF-CLEANING OPERATION



ABRASION-FREE OPERATION



VISCOUS MATERIAL OPERATION

