



TCSTX TOROIDAL CONDUCTIVITY TRANSMITTER



4-20mA isolated output, loop powered 16 - 35VDC

Large dual segmented high content display indicates conductivity & process temperature simultaneously

User-adjustable temperature compensation (0 - 4% / deg C)

Four-key menu driven, field selectable ranges

Adjustable zero and span

Nema 4x enclosure with multiple mounting configurations

The model TCSTX is designed for on-line monitoring of water treatment applications and aggressive process chemicals. This four-key menu driven transmitter with local display is ideally suited for applications where 4-20mA signals are required and reliable instrumentation is critical.

Key features include: the menu driven field selectable measuring ranges, large dual segment high content display, adjustable temperature compensation (%deg C), isolated output and reversible cell drive.

A NEMA 4X (IP66) enclosure provides excellent durability. A variety of mounting choices are available for wall, panel, pipe or rail installation.

Pair the TCSTX with a TCS3020 toroidal sensor for trouble-free service. TCS3020 sensors are offered in Noryl® construction and can be mounted in a custom CPVC flow cell (p/n: FC95C) for in-line use.

DESIGNED AND ASSEMBLED IN CALIFORNIA, USA

11751 MARKON DRIVE • GARDEN GROVE, CA 92841 • 714.895.4344 • WWW.SENSOREX.COM

© Sensorex Corporation. All rights reserved. In the interest of improving and updating its equipment, Sensorex reserves the right to alter specifications to equipment at any time.



TCSTX SPECIFICATIONS AND ORDER INFORMATION

SPECIFICATIONS-TRANSMITTER

Full Scale Range	0-2,000 uS / 2.000 mS / 20.00 mS/ 200.0 mS / 2,000 mS - User selectable
Sensitivity	0.05% of span or 0.1 uS, whichever is greater
Repeatability	0.3% of span, or 0.1 uS, whichever is greater
Non-Linearity	0.3% of span or 0.1 uS, whichever is greater
Zero Drift	<1% span per month, non-cumulative
Operating Conditions	-20 to 60deg C (-4 to 140 deg F), 0-95% R.H. non-condensing conditions
Storage Conditions	-30 to 70deg C(-22 to 158 deg F), 0-95% R.H. non-condensing conditions
Location	Designed for hazardous and non-hazardous areas
EMI/RFI Influence	Designed to EN 61326-1
Temperature Drift	Span or zero, 0.03% of range/degC
Stability	0.1% of span per 24 hours
Power Requirement	16-35V DC (2-wire device)
Warm-Up Time	7 seconds to rated performance
Response Time	6 seconds to 90% step input at lowest setting
Output Isolation	600 V galvanic isolation
Filter	Adjustable, 0-9.9 minutes additional dampening to 90% step input
Enclosure	NEMA 4X (IP66) polycarbonate, wall, pipe or DIN Rail mount. Weatherproof and corrosion resistant. Dimensions = 4.4" (112mm) H x 4.4" (112mm) W x 3.5" (89mm) D.
Display	Large, high-contrast, Super-Twist (STN) LCD 4-digit main display with sign, 0.75" (19.1 mm) seven-segment characters, 12-digit alpha-numeric second line display, 0.3" (7.6mm) 5 x 7 dot matrix characters
Keypad	4-key membrane type with tactile feedback, polycarbonate with UV coating, integral EMI/RFI static shield conductively coated window
Weight	1lb (0.45Kg)
Conduit Openings	2 each PG-9. Cord grips included.
Temperature Input	Pt1000RTD. ATC is user selectable 0-4%/Deg C
Maximum Cable Length	200ft. (61.0m)

ORDERING INFORMATION

Part Number Description

TCSTX	Loop-powered, 4-20mA toroidal conductivity transmitter with display (16-35VDC power supply not included)
TCS3020/P1k/20/TL/TL	Keyed Noryl® toroidal conductivity sensor. Includes 20ft of cable and tinned wire terminations
FC95C	Keyed CPVC flow cell for TCS-2030. Includes nut and o-ring seal.

For more details on toroidal conductivity sensors and flow cell, request toroidal conductivity sensor spec sheet or visit www.sensorex.com

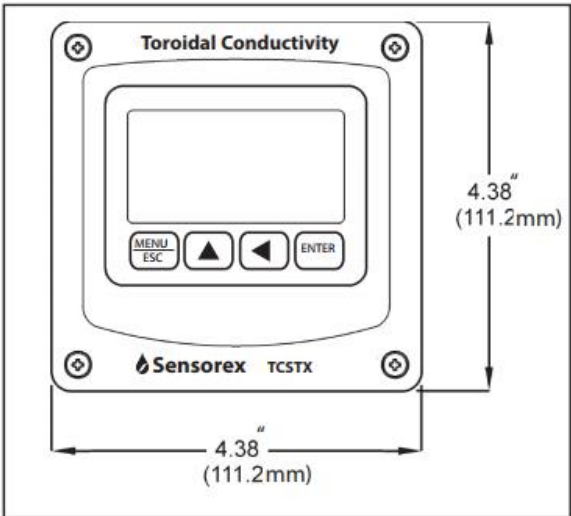
Noryl® is a trademark of INNOVATIVE PLASTICS IP B.V.

DESIGNED AND ASSEMBLED IN CALIFORNIA, USA

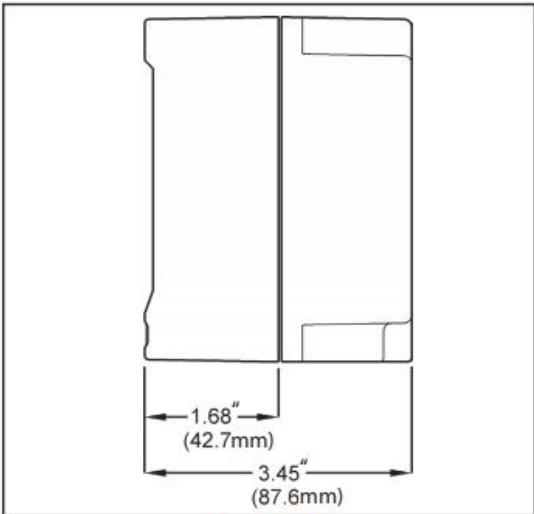
11751 MARKON DRIVE • GARDEN GROVE, CA 92841 • 714.895.4344 • WWW.SENSOREX.COM

© Sensorex Corporation. All rights reserved. In the interest of improving and updating its equipment, Sensorex reserves the right to alter specifications to equipment at any time.

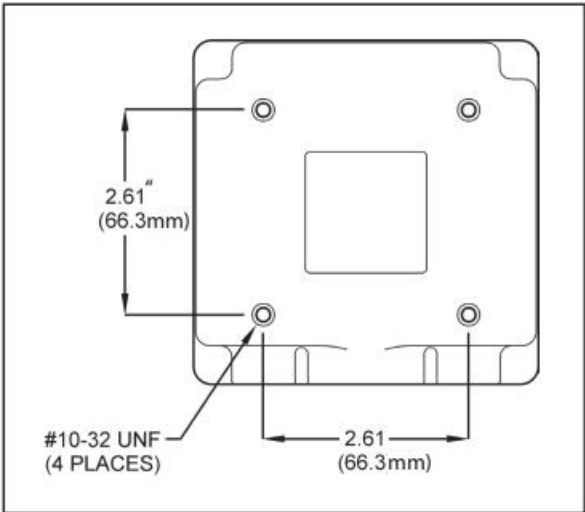
OUTLINE DRAWINGS OF TCSTX



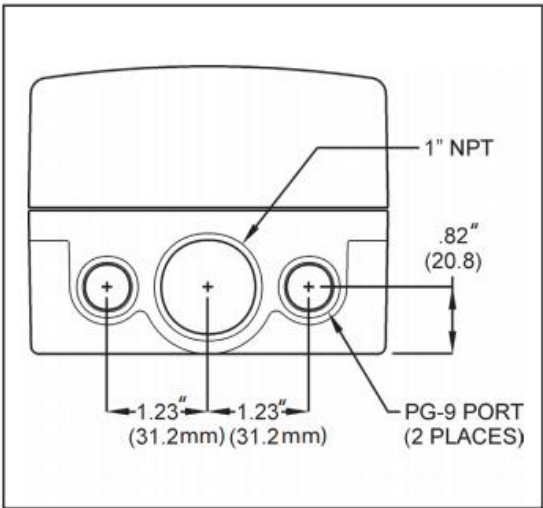
FRONT VIEW



SIDE VIEW



BACK VIEW



BOTTOM VIEW

DESIGNED AND ASSEMBLED IN CALIFORNIA, USA

11751 MARKON DRIVE • GARDEN GROVE, CA 92841 • 714.895.4344 • WWW.SENSOREX.COM

© Sensorex Corporation. All rights reserved. In the interest of improving and updating its equipment, Sensorex reserves the right to alter specifications to equipment at any time.